

Model 2-S WINDOW BUBBLE with Redwood Extension

Straight Style Bubble with Redwood Extension for Straight Style Metal Window Wells

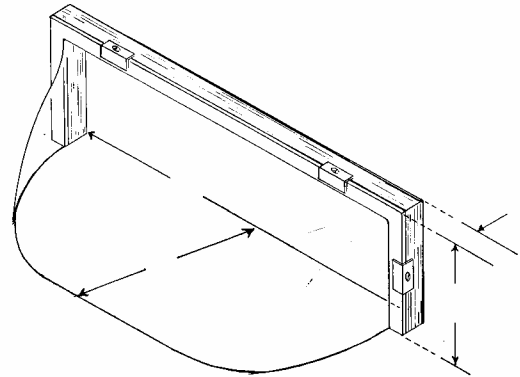
This model is used for straight style metal window wells. Model 2-S is designed to rest on the ground around the outside edge of the well. This unit should be larger than the well itself (1"-2" longer and 1"-2" larger in projection). If the metal rim extends more than 4" above finish grade, length and depth may need to be extended. If this model is going against a flat vertical wall such as brick, stucco, concrete block or vertical wood siding, the cover should extend at least 2" higher than window height. If you have wood, vinyl or aluminum siding, it is preferable to fit under the siding. If not, the redwood extension can be cut to fit under the siding.

Special Circumstances

The redwood extension on Model 2-S allows for added projection of the cover (beyond 22"). This cover is excellent for use where irregular stone walls, electric wires or pipes necessitate cutouts for proper fit. If your well has been used to vent a dryer or similar appliance, the extension can be drilled for 2" or 4" screened vents, or you can vent directly through the extension.

Installation is Simple

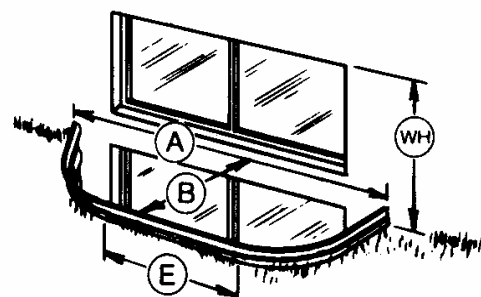
This model is fastened to the house wall with 2 angle brackets. We recommend one on each side near the center of the bubble. Place the bracket at the desired location and mark the hole on the house wall. If the surface is concrete or brick, drill a $\frac{1}{4}$ " hole (1" deep) with a masonry drill bit. Insert the plastic anchor and screw the bracket to the wall. Tighten until snug. Screw the other side of the bracket to the redwood extension. DO NOT OVER TIGHTEN.



We Use Only High Quality Materials

The Window Bubble is formed from 3/16" PLEXIGLAS® Acrylic. Some thinning of the material will occur as the depth of the bubble increases. The redwood extension is made of 4/4" (3/4" thick clear all heart) California redwood. We use redwood because of its superior resistance to decay.

STRAIGHT STYLE WELL



Model 2-S Window Bubble with a Redwood Extension covers straight style metal wells.

Dilworth Manufacturing Company
Creators of the Window Bubble®

PO Box 158, Honey Brook, PA 19344-0158

Toll Free Phone: 888-624-8699

Toll Free Fax: 877-859-7226