

Model 5-R WINDOW BUBBLE

Rectangular Style Bubble for Masonry or Wood Window Wells

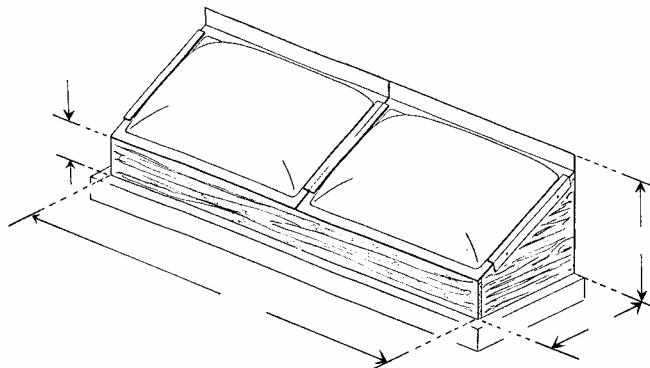
This model is used for rectangular style masonry or wood window wells that exceed the length limitations of using a single bubble cover. This unit is designed to cover the basement window when it extends above the top of the masonry or wood well. Model 5-R is designed to rest on the well top covering the well top by a minimum of 4". This unit consists of two or more domes attached to a redwood frame. The domes are 4" to 5" high, which gives this unit its maximum load strength. If this model is going against a flat vertical wall such as brick, stucco, concrete block or vertical wood siding, the cover should extend at least 2" higher than window height. If you have wood, vinyl or aluminum siding, it is preferable to fit under the siding. If not, we can cut the redwood frame to fill in the space under the siding.

Special Circumstances

We do not advise drilling holes in this unit, either in the flange area or the bubble itself. Do not cut the bubble in any location without first calling our office. This cover is excellent for use where irregular stone walls, electric wires or pipes necessitate cutouts for a proper fit. A redwood extension can be added to the back of this unit to scribe against a rough wall or allow for cutouts. If your well has been used to vent a dryer or similar appliance, the frame can be drilled for 2" or 4" screened vents, or you can vent directly through the frame. This unit may be hinged for egress.

Installation is Simple

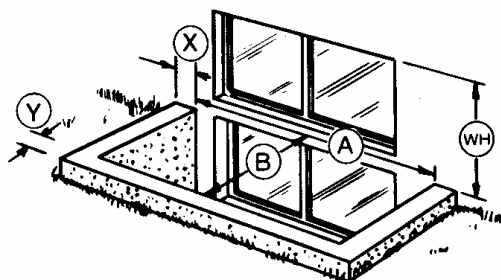
Units are preassembled at our factory and broken down for economical shipping. Holes are predrilled and units are complete with hardware and full instructions. This model is fastened to the well top with 2 angle brackets. We recommend one on each side near the center of the frame. Place the bracket at the desired location and mark the hole on the well top. If the surface is concrete or brick, drill a 1/4" hole (1" deep) with a masonry drill bit. Insert the plastic anchor and screw the bracket to the well top. Tighten until snug. Screw the other side of the bracket to the Redwood frame. **DO NOT OVER TIGHTEN.** Be sure to check your local building codes for egress requirements before attaching the cover.



We Use Only High Quality Materials

The Window Bubble is formed from 3/16" PLEXIGLAS® Acrylic. The redwood frame is made of 4/4" (3/4"), 5/4" (1") or 8/4" (1 1/2") thick, clear all heart California redwood. We use redwood because of its superior resistance to decay.

RECTANGULAR WELL



Model 5-R Window Bubble covers rectangular style masonry or wood wells.

NOTE: If this cover is being used as an egress cover, we highly recommend a hinged unit, which can be opened from inside the well. Be sure to check your local building codes for egress requirements before attaching the cover.

Dilworth Manufacturing Company
Creators of the Window Bubble®

PO Box 158, Honey Brook, PA 19344-0158

Toll Free Phone: 888-624-8699

Toll Free Fax: 877-859-7226